



Equinox analytical balances bring remarkable precision to labs that perform highly detailed testing. The Equinox is ideal for research and quality assurance facilities; science education; precision counting; and production and manufacturing applications needing exceptionally precise results. A color touch screen display provides intuitive operation, with icon-driven menus and readily accessible applications and functions.

## Versatile and resilient, Equinox provides intuitive operation and readily accessible functions



### Features

- Large, responsive 5" 800x480 pixel touch-screen display
- Level indicator and adjustable feet ensure proper balance setup for optimum weighing results
- Security slot for optional Kensington-type lock and cable to help prevent theft
- Large, grade 304 stainless steel pan allows easy cleaning
- RS-232 interface is available to provide speedy connection to computers and printers
- USB host for memory card
- Built-in memory for storing products and settings
- External calibration allows for verification and adjustment with weights
- Selectable digital filtering helps minimise effects of vibration and disturbances
- Security password control prevents unauthorised access
- Printouts include date and time for data tracking within Good Laboratory Practices (GLP) guidelines
- Preset tare function speeds the process of repetitive weighing
- Parts counting with freely selectable sample sizes
- Multilingual display allows use in many different countries
- Memory accumulation totals results
- Checkweighing with audible alarm
- AC adapter included

### Applications

- Weighing
- Parts counting
- Percentage weighing
- Checkweighing
- Dynamic / animal weighing
- Accumulation of weight
- Density determination
- Display hold
- Formulation
- Statistics
- Textile

### About ADAM:

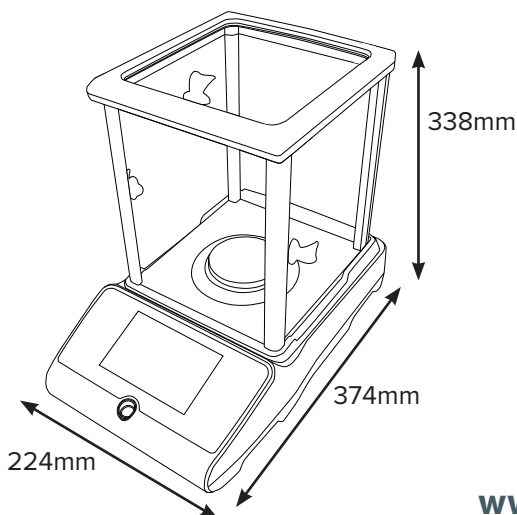
For nearly 50 years, professionals worldwide have relied on Adam Equipment for an extensive selection of dependable and affordable weighing equipment. Adam provides the right balance of speed, performance and value.

## Product Details

Model	EAB 125i	EAB 225i	EAB 124e	EAB 224e	EAB 314e	EAB 124i	EAB 224i	EAB 314i	EAB 414i	EAB 514i
Capacity	62g / 120g	82g / 220g	120g	220g	310g	120g	220g	310g	410g	510g
Readability	0.01mg/ 0.1mg	0.01mg/ 0.1mg	0.0001g	0.0001g	0.0001g	0.0001g	0.0001g	0.0001g	0.0001g	0.0001g
Repeatability (S.D.)	0.03mg/ 0.1mg	0.05mg/ 0.1mg	0.0001g	0.0001g	0.0001g	0.0001g	0.0001g	0.0001g	0.35mg	0.35mg
Linearity (+/-)	0.08mg / 0.2mg	0.1mg / 0.2mg	0.0003g	0.0003g	0.0004g	0.0003g	0.0003g	0.0004g	0.0005g	0.0005g
Minimum Weight (USP, typical)	10mg	10mg	10mg	10mg	10mg	10mg	10mg	10mg	10mg	10mg
Pan Size	3.1" ø / 80mm ø									
Weighing Units	g, mg, ct, GN, lb, oz, dwt, mm, ozt, tl.H, tl.S, tl.T, T, custom unit									
Stabilization Time (sec)	6					4				
Interface	RS-232, USB									
Calibration	Internal automatic calibration			External calibration			Internal automatic calibration			
Display	Touchscreen with 4.9"/ 125mm -high digits									
Power Supply	24V 50/60Hz 500mA adapter									
Operating Temperature	10° to 30°C / 50° to 86°F									
Housing	ABS plastic									
Draft Shield	Chamber 7.6"x7.7"x9.1" / 192x195x230mm									
Overall Dim.	8.8"x14.7"x13.3" / 224x374x338mm (wxdxh)									
Net Weight	15.9lb / 7.2kg									

### Accessories

Item number	Description
104008036	Anti-vibration table
1060014262	Density kit
3012014259	In-use cover
112001156	ATP thermal printer
3126011263	ATP thermal printer paper
3126011281	ATP thermal printer paper (pack of 10)
3014011014	RS-232 cable M-F
700100046	Kensington-type lock and cable
600002028	AdamDU Data Collection
700660290	Calibration certificate
700100410	ABI-1 Ioniser
700100398	E1 5g Calibration Weight
700100399	E1 10g Calibration Weight
700100400	E1 20g Calibration Weight
700100401	E1 50g Calibration Weight
700100022	E2 100g Calibration Weight
700100023	E2 200g Calibration Weight
700100419	E1 1mg - 50g Calibration Weight Set
700100420	E1 1mg - 100g Calibration Weight Set
700100421	E1 1mg - 200g Calibration Weight Set
700100026	E2 1mg - 200g Calibration Weight Set
700100207	E2 1g to 200g Calibration Weight Set



### Key Accessories



#### ATP thermal printer

Easy-to-use features combined with quick set-up equals a truly versatile thermal printer. A single push-button feed key and three easy-to-read LED indicators make operation simple.



#### AdamDU data collection program

Adam DU software connects a balance to the laboratory network, helping to achieve seamless data collection, transfer and analysis. DU features an easy-to-use interface with a main command window, allowing users to quickly collect information from up to eight Adam balances simultaneously using RS-232 or USB connections.

Supplied by

[www.adamequipment.co.uk](http://www.adamequipment.co.uk)



With a high-resolution graphic display and intuitive features, Solis analytical balances provide an outstanding solution for a variety of lab applications. Versatile and resilient, the Solis is ideal for research and quality assurance labs; science education; precision counting; and production and manufacturing applications needing precision results. The Solis keypad is simple to use, with easy-to-read buttons and helpful navigation arrows for uncomplicated operation.

## Superb performance and simple operation for demanding laboratories



### Features

- High-resolution graphic display is amply sized for clear visibility
- Level indicator and adjustable feet ensure proper balance setup for optimum weighing results
- Security slot for optional Kensington-type lock and cable to help prevent theft
- Large, grade 304 stainless steel pan allows easy cleaning
- RS-232 interface is available to provide speedy connection to computers and printers
- External calibration allows for verification and adjustment with weights
- Selectable digital filtering helps minimise effects of vibration and disturbances
- Printouts include date and time for data tracking within Good Laboratory Practices (GLP) guidelines
- Multilingual display allows use in many different countries
- Checkweighing with audible alarm
- Parts counting with preset sample sizes
- AC adapter included

### Applications

- Weighing
- Parts counting
- Percentage weighing
- Checkweighing
- Dynamic / animal weighing
- Density determination
- Formulation
- Peak hold

### About ADAM:

For more than 45 years, professionals worldwide have relied on Adam Equipment for an extensive selection of dependable and affordable weighing equipment. Adam provides the right balance of speed, performance and value.

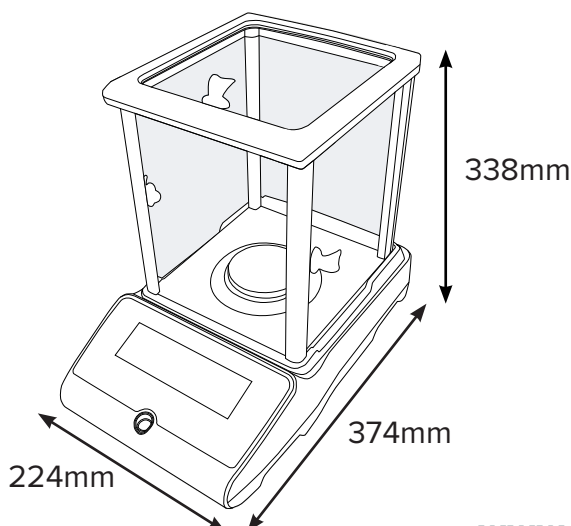
## Product Details

Model	SAB 125i	SAB 225i	SAB 124e	SAB 224e	SAB 314e	SAB 124i	SAB 224i	SAB 314i	SAB 414i	SAB 514i
Capacity	62g / 120g	82g / 220g	120g	220g	310g	120g	220g	310g	410g	510g
Readability	0.01mg/ 0.1mg	0.01mg/ 0.1mg	0.0001g	0.0001g	0.0001g	0.0001g	0.0001g	0.0001g	0.0001g	0.0001g
Repeatability (S.D.)	0.03mg/ 0.1mg	0.05mg/ 0.1mg	0.0001g	0.0001g	0.0001g	0.0001g	0.0001g	0.0001g	0.35mg	0.35mg
Linearity (+/-)	0.08mg / 0.2mg	0.1mg / 0.2mg	0.0003g	0.0003g	0.0004g	0.0003g	0.0003g	0.0004g	0.0005g	0.0005g
Minimum Weight (USP, typical)	10mg	10mg	10mg	10mg	10mg	10mg	10mg	10mg	10mg	10mg
Pan Size	80mm ø									
Weighing Units	g, mg, lb, oz, ct, GN, dwt, mm, ozt, T, tl.H, tl.S, tl.T, custom unit									
Stabilization Time (sec)	6					4				
Interface	RS-232									
Calibration	Internal automatic calibration			External calibration			Internal automatic calibration			
Display	Graphic display with 15mm high digits									
Power Supply	24V 50/60Hz 500mA adapter									
Operating Temperature	10° to 30°C / 50° to 86°F									
Housing	ABS plastic									
Draft Shield	192x195x230mm									
Overall Dim.	224x374x338mm									
Net Weight	7kg			6.7kg			7kg			

### Accessories

#### Item number Description

- 104008036 .....Anti-vibration table
- 1060014262 .....Density kit for balance up to 0.001g readability
- 3012014259 .....In-use cover
- 1120011156 .....ATP thermal printer
- 3126011263 .....ATP thermal printer paper
- 3126011281 .....ATP thermal printer paper (pack of 10)
- 3014011014 .....RS-232 cable M-F
- 700100046 .....Kensington-type lock and cable
- 600002028 .....AdamDU Data Collection Program
- 700660290 .....Calibration certificate
- 700100410 .....ABI-1 loniser
- 700100207 .....E2 1g to 200g calibration weight set
- 700100022 .....E2 100g calibration weight
- 700100023 .....E2 200g calibration weight
- 700100419 .....E1 1mg - 50g Calibration Weight Set
- 700100420 .....E1 1mg - 100g Calibration Weight Set
- 700100421 .....E1 1mg - 200g Calibration Weight Set
- 700100398 .....E1 5g Calibration Weight
- 700100399 .....E1 10g Calibration Weight
- 700100400 .....E1 20g Calibration Weight
- 700100401 .....E1 50g Calibration Weight
- 700100026 .....E2 1mg - 200g calibration weight set



### Key Accessories



#### ATP thermal printer

Easy-to-use features combined with quick set-up equals a truly versatile thermal printer. A single push-button feed key and three easy-to-read LED indicators make operation simple.



#### AdamDU data collection program

Adam DU software connects a balance to the laboratory network, helping to achieve seamless data collection, transfer and analysis. DU features an easy-to-use interface with a main command window, allowing users to quickly collect information from up to eight Adam balances simultaneously using RS-232 or USB connections.

Supplied by

[www.adamequipment.co.uk](http://www.adamequipment.co.uk)

Adam Equipment follows a policy of continuous improvement and reserves the right to change specification and pricing without notice. Adam Equipment's standard terms and conditions of sale apply. Errors and omissions excepted.



Tailor-made for advanced scientists and researchers, Eclipse analytical balances offer capacities of 100g to 310g and readabilities of 0.1mg. A capacitive touch keypad contains illuminated colour-coded keys, which provide uncomplicated navigation of the functions and features. Featuring one of the largest LCD readouts in the industry, the Eclipse displays sizeable white digits on a deep-blue background, ensuring exceptional visibility. Clear, discernible symbols and multi-lingual text enable easy operation, while prompts simplify even the most complex activities. The Eclipse's innovative design results in a compact footprint, so the balance occupies minimal space on the laboratory work bench while retaining a high level of performance. Connectivity, whether it's basic data printing or advanced communication with a LIMS, is achieved with USB and RS-232 interfaces. Printouts with time, date, and other information are provided to comply with GLP requirements. Eclipse models offer the option of internal or external calibration.

## Fully featured series – our most intuitive balance to date



### Features

- Vivid, backlit LCD easily visible in any lighting conditions
- Capacity tracker built into display for easily monitoring possible overloads
- Programmable backlight can be set to “always on,” “always off” or “light only when weighing”
- Large, grade 304 stainless steel pan allows easy cleaning
- Overload protection helps prevent damage to internal components
- Robust metal housing protects internal components in harsh environments
- Sealed keypad protects against dirt and spills
- USB and RS-232 interfaces provide speedy communication with computers and printers
- Level indicator and adjustable feet ensure proper balance setup for optimum weighing results
- The illuminated capacitive touch keypad provides responsive operation, and its durable, smooth surface can be easily wiped down
- External calibration allows for verification and adjustment with weights
- Multilingual display allows use in many different countries
- Printouts include date and time for data tracking within Good Laboratory Practices (GLP) guidelines
- Security password control prevents unauthorised access
- Selectable digital filtering helps minimise effects of vibration and disturbances
- AC adapter included

### Applications

- Weighing
- Parts counting
- Percentage weighing
- Checkweighing
- Dynamic / animal weighing
- Density determination
- Accumulation of weight
- Formulation

### About ADAM:

For more than 40 years, professionals worldwide have relied on Adam Equipment for an extensive selection of dependable and affordable weighing equipment. Adam provides the right balance of speed, performance and value.

Model - External Calibration	EBL 104e	EBL 164e	EBL 214e	EBL 254e
Model - Internal Calibration	EBL 104i	EBL 164i	EBL 214i	EBL 254i
<b>Capacity</b>	100g	160g	210g	250g
<b>Readability</b>	0.0001g	0.0001g	0.0001g	0.0001g
<b>Repeatability (S.D.)</b>	0.00015g	0.0002g	0.0002g	0.0002g
<b>Linearity (+/-)</b>	0.0003g	0.0003g	0.0003g	0.0003g
<b>Pan Size</b>	90mm ø			
<b>Weighing Units</b>	g, mg, ct, GN, dr, oz, ozt, dwt, mm, tl.T, tl.H, tl.S, ti, T, custom unit			
<b>Stabilisation Time (sec)</b>	3			
<b>Interface</b>	RS-232, USB			
<b>Calibration</b>	e models: External calibration		i models: Internal automatic calibration / External calibration	
<b>Display</b>	Backlit LCD with capacity tracker with 24mm-high digits			
<b>Power Supply</b>	18VDC 50/60Hz 830mA adapter			
<b>Operating Temperature</b>	15° to 35°C			
<b>Housing</b>	Extruded aluminum base with a die-cast aluminum case			
<b>Draught Shield</b>	Chamber 165x145x240mm			
<b>Overall Dim.</b>	220x340x344mm (wxdxh)			
<b>Net Weight</b>	5.5kg			

## Accessories

Item number	Description
104008036	Anti-vibration table
3074010267	USB cable
1060012713	Density kit for 90mm ø
3012313007	Dust cover for 0.1mg balances
1120011156	ATP thermal printer
3126011263	ATP thermal printer paper
3126011281	ATP thermal printer paper (pack of 10)
3014011014	RS-232 cable M-F
600002028	Adam DU data collection program
3021210953	Weigh-below hook
700660290	Calibration certificate
3014013041	Security cable
700100026	E2 1mg - 200g Calibration Weight Set
700100207	E2 1g - 200g Calibration Weight Set
700100022	E2 100g Calibration Weight
700100023	E2 200g Calibration Weight
700100232	E2 50g Calibration Weight

## Key Accessories



### Anti-vibration table

The AVT anti-vibration table offers a solid, stable surface to help decrease vibration during the operation of analytical or precision balances. The AVT can help reduce fluctuations and inconsistency in measurement resulting from environmental affects.



### ATP thermal printer

Easy-to-use features combined with quick set-up equals a truly versatile thermal printer. A single push-button feed key and three easy-to-read LED indicators make operation simple.



### AdamDU data collection program

Adam DU software connects a balance to the laboratory network, helping to achieve seamless data collection, transfer and analysis. DU features an easy-to-use interface with a main command window, allowing users to quickly collect information from up to eight Adam balances simultaneously using RS-232 or USB connections.

Supplied by